



订货指南 Order guide	01
WJ41H-16/25波纹管截止阀 Bellows seal globe valve	02
WJ41H-40波纹管截止阀 Bellows seal globe valve	03
WJ61H-25波纹管截止阀 Bellows seal globe valve	04
WJ61H-25波纹管截止阀 Bellows seal globe valve	05
WJ41H-150Lb波纹管截止阀 Bellows seal globe valve	06
WJ41H-300Lb波纹管截止阀 Bellows seal globe valve	07
WJ41H-600Lb波纹管截止阀 Bellows seal globe valve	08
WJ61H-150/300Lb波纹管截止阀 Bellows seal globe valve	09

WZ41H-16/25波纹管闸阀 Bellows seal gate valve	10
WZ41H-40波纹管闸阀 Bellows seal gate valve	11
WZ61H-25波纹管闸阀 Bellows seal gate valve	12
WZ41H-150Lb波纹管闸阀 Bellows seal gate valve	13
WZ41H-300Lb波纹管闸阀 Bellows seal gate valve	14
WZ41H-600Lb波纹管闸阀 Bellows seal gate valve	15
WZ61H-150/300Lb波纹管闸阀 Bellows seal gate valve	16
质量保证和售后服务承诺 Quality assurance and after-sales service commitment	17

订货指南 Order Guide

◆客户须知

1. 样本为标准波纹管阀门，如有特殊需求，应在订货时说明。
2. 型号、口径、压力、连接方式和材质。
3. 阀门连接端执行标准（承插焊、对接焊、法兰等不同形式连接端）。
4. 结构长度执行标准。
5. 对焊接连接/承插焊连接（BW/SW）必须在订货合同中注明管号。

◆ Ordering instructions

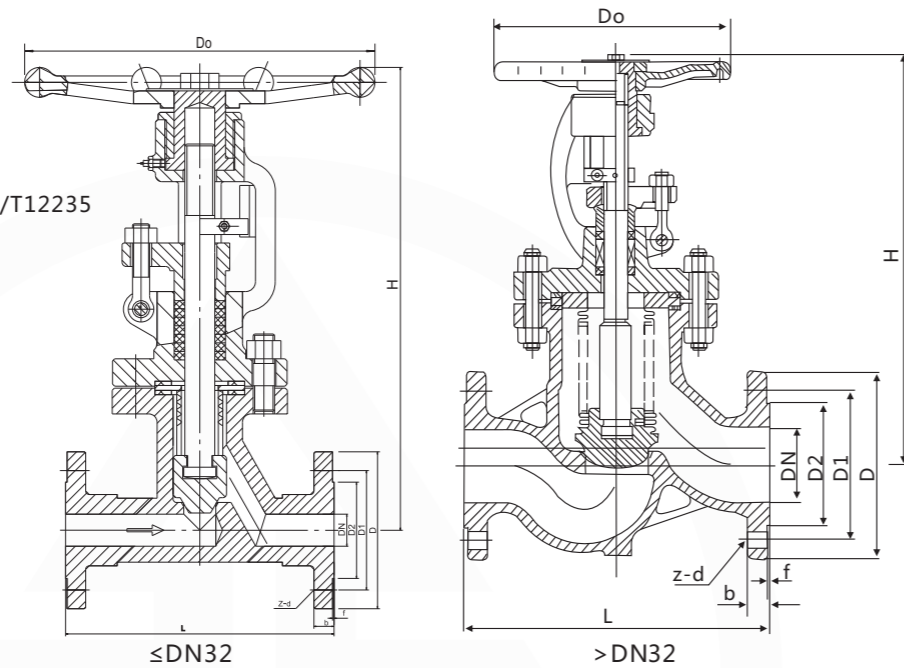
1. The sample is standard bellows valve. If there is a special requirement, it should be stated in the order.
2. Type, caliber, pressure, connection mode and material.
3. The valve connection end (socket welding, butt welding, flange, etc.).
4. Standard for the implementation of structural length.
5. The welding joint/socket welding connection (BW/SW) must be noted in the order contract.

WJ41H-16/25波纹管截止阀

Bellows Globe valve

设计制造标准：GB/T12235
连接法兰标准：GB/T 9113
结构长度标准：GB/T12221
波纹管标准：MSS SP-117
检验与试验标准：GB/T26480

Design and manufacturing standard: GB/T12235
Flange dimension standard: GB/T 9113
Structure length standard: GB/T12221
Bellows standard: MSS sp-117
Test and test standard: GB/T26480



◆ 主要尺寸及重量

公称通径 DN	尺寸(mm)												
	L	D	D1	D2	b	H	Do	Z-d					
10	130	90	60	40	14	14	170	100	4-14				
15	130	95	65	45	16	16	175	100	4-14				
20	150	105	75	58	16	16	195	120	4-14				
25	160	115	85	68	18	16	248	140	4-14				
32	180	140	100	78	18	18	255	160	4-18				
40	200	150	110	88	18	18	300	180	4-18				
50	230	165	125	102	18	20	350	220	4-18				
65	290	185	145	122	18	22	390	280	4-18	8-18			
80	310	200	160	138	20	24	420	300	8-18	8-18			
100	350	220	235	180	190	158	162	20	26	450	320	8-18	8-22
125	400	250	270	210	220	185	188	22	28	477	360	8-18	8-26
150	480	285	300	240	250	210	218	22	30	525	420	8-22	8-26
200	600	340	360	295	310	268	278	24	32	610	550	12-22	12-26
250	622	405	425	355	370	320	335	26	35	770	600	12-26	12-30
300	698	460	480	410	430	378	395	28	38	800	600	12-26	16-30
350	787	520	555	470	490	438	450	30	42	920	700	16-26	16-33
400	914	580	620	528	550	490	505	32	46	1100	800	16-30	16-36
450	978	640	670	585	600	550	555	40	50	1330	850	20-30	20-36
500	978	715	730	650	660	610	615	44	56	1700	900	20-33	20-36
600	1295	840	845	770	770	725	720	54	68	1920	1000	20-36	20-39

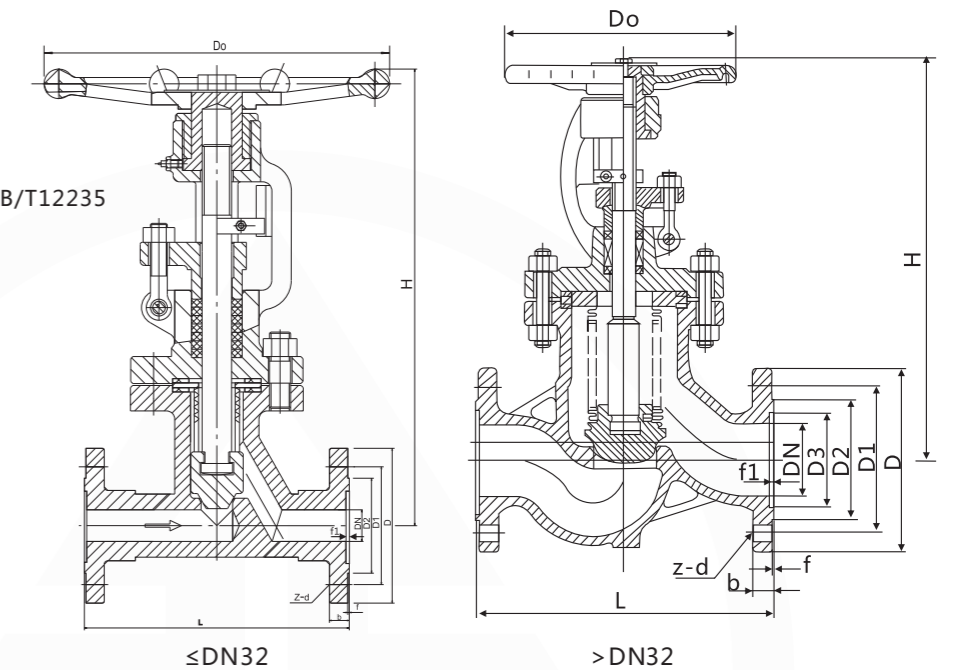
注：说明表格每栏由供一组数据均为1.6MPa、2.5MPa均相同数据。前者为1.6MPa，后者为2.5MPa的。

WJ41H-40波纹管截止阀

Bellows Globe valve

设计制造标准：GB/T12235
连接法兰标准：GB/T 9113
结构长度标准：GB/T12221
波纹管标准：MSS SP-117
检验与试验标准：GB/T26480

Design and manufacturing standard: GB/T12235
Flange dimension standard: GB/T 9113
Structure length standard: GB/T12221
Bellows standard: MSS sp-117
Test and test standard: GB/T26480



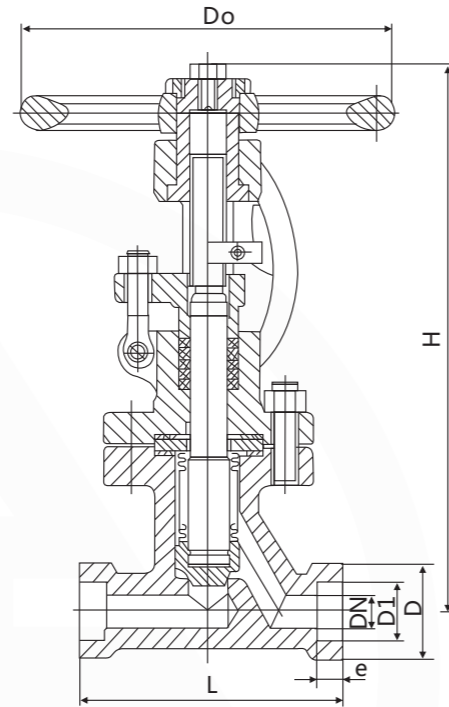
◆ 主要尺寸及重量

公称通径 DN	尺寸(mm)										
	L	D	D1	D2	D3	f	f1	b	H	Do	Z-d
15	130	95	65	45	40	2	4	16	205	120	4-14
20	150	105	75	55	51	2	4	16	205	140	4-14
25	160	115	85	65	58	2	4	16	230	140	4-14
32	180	140	100	78	66	2	4	18	265	180	4-18
40	200	150	110	85	76	3	4	18	290	200	4-18
50	230	165	125	100	88	3	4	20	330	220	4-18
65	290	185	145	120	110	3	4	22	350	250	8-18
80	310	200	160	135	121	3	4	22	390	280	8-18
100	350	235	190	160	150	3	4.5	24	430	300	8-22
125	400	270	220	188	176	3	4.5	28	485	350	8-26
150	480	300	250	218	204	3	4.5	30	575	400	8-26
200	600	380	320	282	260	3	4.5	38	730	550	12-30
250	730	450	385	345	313	3	4.5	42	790	600	12-33
300	850	490	430	389	364	3	4.5	45	810	600	16-33

WJ61H-25波纹管截止阀

Bellows Globe valve

设计制造标准： JB/T7746
 焊接端尺寸标准： JB/T7746
 结构长度按制造厂的标准
 波纹管标准： MSS SP-117
 检验与试验标准： GB/T26480
 Design and manufacturing standards: JB/T7746
 Welding terminal dimensions: JB/T7746
 The structure length is according to the manufacturer's standard
 Bellows standard: MSS sp-117
 Test and test standard: GB/T26480



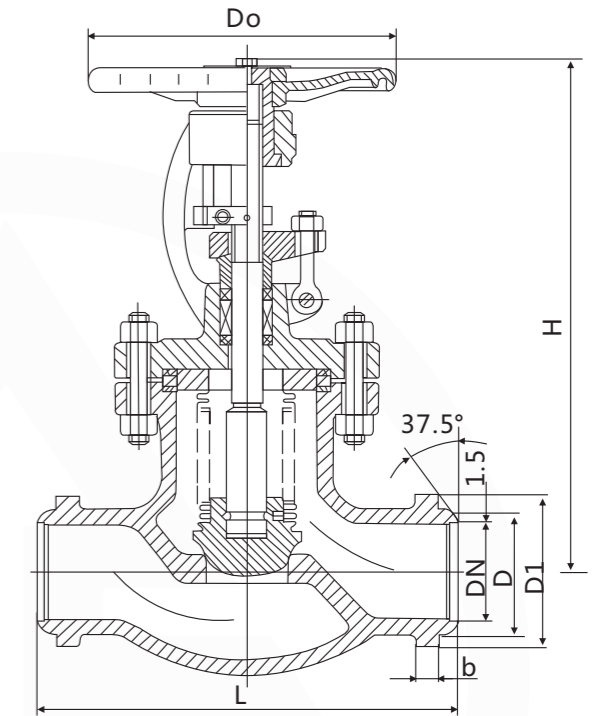
◆ 主要尺寸及重量

公称 口径 DN	尺寸(mm)					
	L	D	D1	e	H	Do
10	110	28	18.4	10	170	120
15	110	34	22.5	10	175	120
20	130	40	28.5	11	195	140
25	140	48	34.5	12	240	140
32	160	56	43	14	255	160
40	180	64	49	15	300	200
50	230	85	61	18	350	200

WJ61H-25波纹管截止阀

Bellows Globe valve

设计制造标准： GB/T12235
 焊接端尺寸标准： GB/T12224
 结构长度标准： GB/T12221
 波纹管标准： MSS SP-117
 检验与试验标准： GB/T26480
 Design and manufacturing standard: GB/T12235
 Welding terminal dimensions: GB/T12224
 Structure length standard: GB/T12221
 Bellows standard: MSS sp-117
 Test and test standard: GB/T26480



◆ 主要尺寸及重量

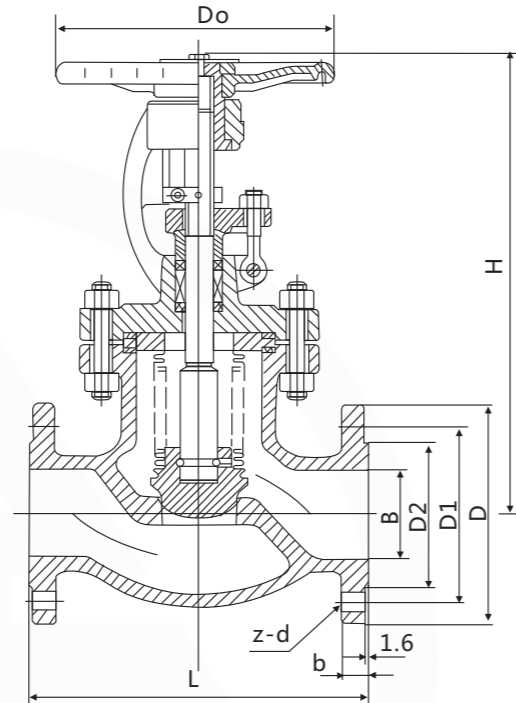
公称 口径 DN	尺寸(mm)					
	L	H	D	D1	b	Do
65	290	390	83	108	15	260
80	310	420	98	123	18	280
100	350	450	119	145	20	300
125	400	477	143	170	22	350
150	480	525	168	195	25	400
200	600	610	222	250	27	480
250	622	770	275	305	29	600
300	698	830	332	365	32	600
350	787	950	364	420	45	700
400	914	1100	415	470	60	850
450	978	1170	465	520	70	900
500	978	1365	518	600	80	900
600	1295	1500	620	700	85	1000

WJ41H-150Lb波纹管截止阀

Bellows Globe valve

设计制造标准：ASME B16.34、BS1873
连接法兰尺寸标准：ASME B16.5
结构长度标准：ASME B16.10
波纹管标准：MSS SP-117
检验与试验标准：API598

Design and manufacturing standards: ASME B16.34、BS1873
Flange dimension standard: ASME B16.5
Structural length standard: ASME B16.10
Bellows standard: MSS sp-117
Inspection and testing standard: API598



◆ 主要尺寸及重量

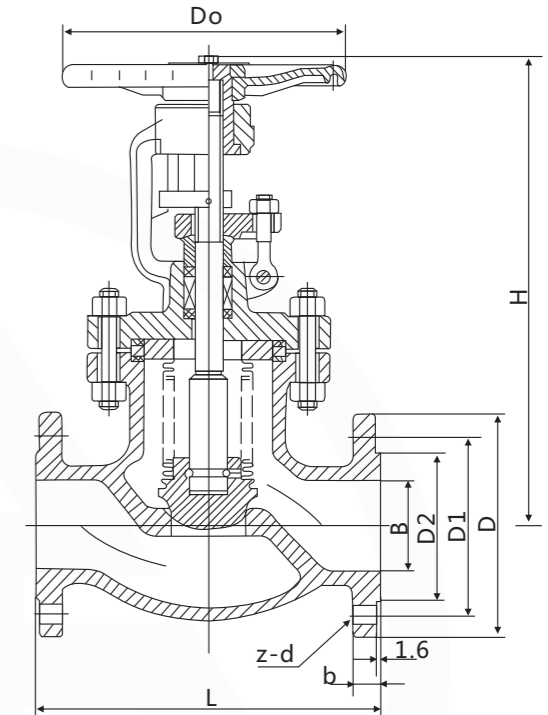
公称通径 NPS/DN		尺寸(mm)								
Inch	mm	L	D	D1	D2	B	b	H	Do	Z-d
1/2	15	108	90	60.5	35	15	8	241	120	4-16
3/4	20	117	100	70	43	20	9	250	120	4-16
1	25	127	110	79.5	51	25	10	283	140	4-16
1 1/2	40	165	125	98.5	73	38	12.7	296	180	4-16
2	50	203	150	120.5	92	51	14.3	316	200	4-19
2 1/2	65	216	180	139.5	105	64	16	342	220	4-19
3	80	241	190	152.5	127	78	17.5	362	280	4-19
4	100	292	229	190.5	157	102	22.3	420	300	8-19
5	125	356	254	216	186	127	22.3	472	350	8-22
6	150	406	279	241.5	216	152	24	528	400	8-22
8	200	495	343	298.5	270	203	27	640	450	8-22
10	250	622	406	362	324	254	28.6	750	600	12-25
12	300	698	485	432	381	305	30.2	1200	600	12-25
14	350	787	535	476.3	413	337	33.4	1400	700	12-29
16	400	914	595	539.8	470	387	35	1600	850	16-29

WJ41H-300Lb波纹管截止阀

Bellows Globe valve

设计制造标准：ASME B16.34、BS1873
连接法兰尺寸标准：ASME B16.5
结构长度标准：ASME B16.10
波纹管标准：MSS SP-117
检验与试验标准：API598

Design and manufacturing standards: ASME B16.34、BS1873
Flange dimension standard: ASME B16.5
Structural length standard: ASME B16.10
Bellows standard: MSS sp-117
Inspection and testing standard: API598



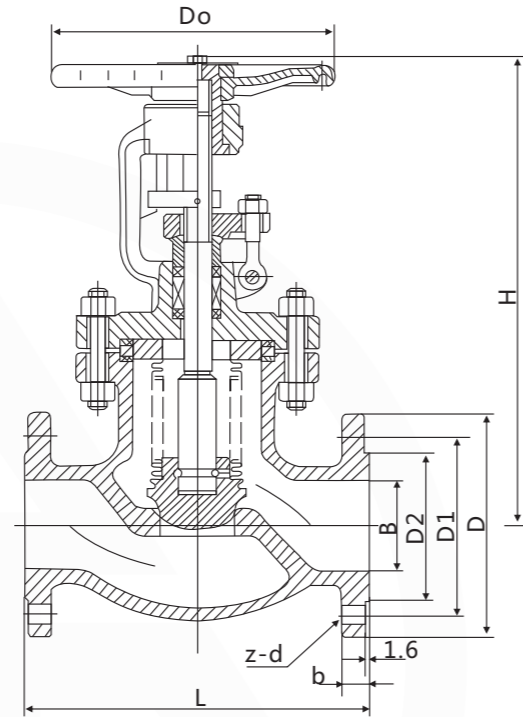
◆ 主要尺寸及重量

公称通径 NPS/DN		尺寸(mm)								
Inch	mm	L	D	D1	D2	B	b	H	Do	Z-d
1/2	15	152	95	66.5	35	15	12.7	241	125	4-15
3/4	20	178	118	82.5	43	20	14.3	250	125	4-19
1	25	203	125	89	51	25	16	283	160	4-19
1 1/2	40	229	155	114.5	73	38	19	322	200	4-22
2	50	267	165	127	92	51	21	333	200	8-19
2 1/2	65	292	190	149	105	64	24	395	250	8-22
3	80	318	210	168	127	78	27	410	250	8-22
4	100	356	255	200	157	102	30	520	300	8-22
5	125	400	280	235	186	127	33.4	585	350	8-22
6	150	444	320	270	216	152	35	648	450	12-22
8	200	559	380	330	270	203	40	930	560	12-25
10	250	622	445	387.4	323.8	254	46	1012	600	16-29
12	300	711	520	450.8	381	305	50	1231	650	16-32
14	350	991	585	514.4	413	337	52.4	1450	850	20-32
16	400	1067	650	571.5	470	387	56	1645	900	20-35

WJ41H-600Lb波纹管截止阀

Bellows Globe valve

设计制造标准：ASME B16.34、BS1873
 连接法兰尺寸标准：ASME B16.5
 结构长度标准：ASME B16.10
 波纹管标准：MSS SP-117
 检验与试验标准：API598
 Design and manufacturing standards: ASME B16.34、BS1873
 Flange dimension standard: ASME B16.5
 Structural length standard: ASME B16.10
 Bellows standard: MSS sp-117
 Inspection and testing standard: API598



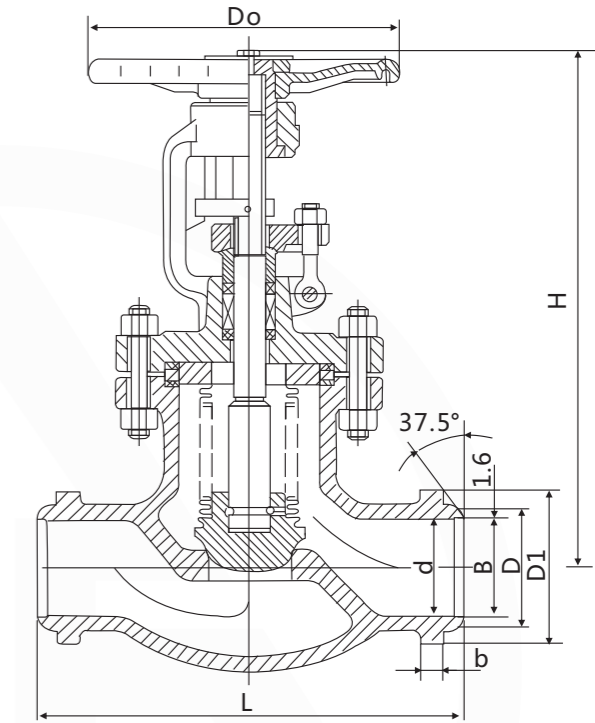
◆ 主要尺寸及重量

公称通径 NPS/DN		尺寸(mm)								
Inch	mm	L	D	D1	D2	B	b	H	Do	Z-d
1/2	15	165	95	66.7	34.9	15	14.3	241	125	4-16
3/4	20	191	115	82.6	42	20	15.9	250	125	4-19
1	25	216	125	89	50.8	25	17.5	283	160	4-19
1 1/2	40	241	155	114.3	73	38	22.3	322	200	4-22
2	50	292	165	127	92.1	51	25.4	333	200	8-19
2 1/2	65	330	190	149.2	104.8	64	28.6	395	250	8-22
3	80	356	210	168.3	127	78	31.8	410	250	8-22
4	100	432	275	215.9	157.2	102	38.1	520	300	8-25
5	125	508	330	266.7	185.7	127	44.5	585	350	8-29
6	150	559	355	292.1	215.9	152	47.7	648	450	12-29
8	200	660	420	349.2	269.9	203	55.6	930	560	12-32
10	250	787	510	431.8	323.8	254	63.5	1012	600	16-35
12	300	838	560	489	381	305	66.7	1231	650	16-35
14	350	889	605	527	412.8	337	69.9	1450	850	20-38
16	400	991	685	603.2	469.9	387	76.2	1645	900	20-41

WJ61H-150/300Lb波纹管截止阀

Bellows Globe valve

设计制造标准：ASME B16.34、BS1873
 焊接端尺寸标准：ASME B16.25/ASME B16.11
 结构长度标准：ASME B16.10
 波纹管标准：MSS SP-117
 检验与试验标准：API598
 Design and manufacturing standards: ASME B16.34、BS1873
 Welding terminal dimensions: ASME B16.25/ASME B16.11
 Structural length standard: ASME B16.10
 Bellows standard: MSS sp-117
 Inspection and testing standard: API598



◆ 主要尺寸及重量

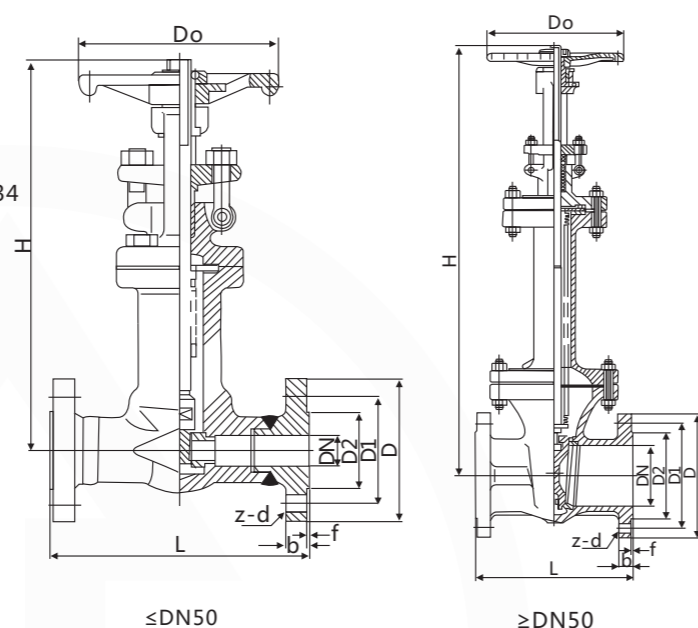
公称通径 NPS/DN		压力级磅级													
		150Lb							300Lb						
Inch	mm	L	d	D	D1	b	H	Do	L	d	D	D1	b	H	Do
2	50	203	50	62	100	15	316	200	267	50	62	10	15	330	220
3	80	241	78	91	125	18	362	250	318	78	91	125	18	410	280
4	100	292	101	117	145	20	420	280	356	101	117	145	20	510	300
5	125	356	127	143	170	22	472	300	400	127	143	170	22	580	350
6	150	406	151	172	200	25	528	350	444	151	172	200	25	640	400
8	200	495	202	223	250	27	640	450	559	202	223	250	27	680	500
10	250	622	252	278	305	29	685	550	622	252	278	305	29	750	550
12	300	698	302	329	365	32	730	600	711	302	329	365	32	810	600
14	350	787	337	362	420	40	1200	700	991	337	362	450	45	1400	700
16	400	914	387	413	500	50	1400	850	1067	387	413	520	60	1600	850

WZ41H-16/25波纹管闸阀

Bellows Gate valve

设计制造标准： JB/T7746、GB/T12234
连接法兰尺寸标准： GB/T 9113
结构长度标准： GB/T12221
波纹管标准： MSS SP-117
检验与试验标准： GB/T26480

Design and manufacturing standards: JB/T7746、GB/T12234
Flange dimension standard: GB/T 9113
Structure length standard: GB/T12221
Bellows standard: MSS sp-117
Test and test standard: GB/T26480



◆ 主要尺寸及重量

公称通径 DN	尺寸(mm)												
	L	D	D1	D2	b	H	Do	Z-d					
15	130	95	65	45	14	16	300	120	4-14				
20	150	105	75	55	14	16	305	120	4-14				
25	160	115	85	65	14	16	310	140	4-14				
32	180	140	100	78	16	18	380	180	4-18				
40	200	150	110	85	16	18	410	260	4-18				
50	250	165	125	100	16	20	530	220	4-18				
65	265	185	145	120	18	22	585	250	4-18				
80	280	200	160	135	20	22	655	280	8-18				
100	300	220	230	180	190	155	160	20	24	793	300	8-18	8-23
125	325	250	270	210	220	185	188	22	28	1070	350	8-18	8-25
150	350	285	300	240	250	210	218	24	30	1260	350	8-22	8-25
200	400	340	360	295	310	265	278	26	34	1503	400	12-22	12-25
250	450	405	425	355	370	320	332	30	36	1843	450	12-26	12-30
300	500	460	485	410	430	375	390	30	40	2117	500	12-26	16-30
350	550	520	555	470	490	435	448	34	44	2410	550	16-26	16-34
400	600	580	620	525	550	485	505	36	48	2730	600	16-30	16-34

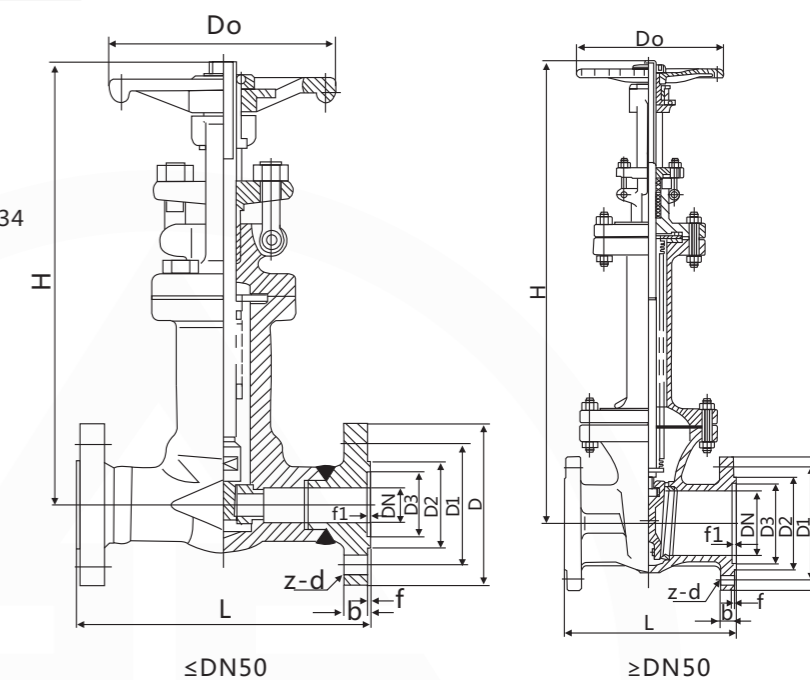
注：说明表格每栏由供一组数据均为1.6MPa、2.5MPa均相同数据。前者为1.6MPa，后者为2.5MPa的。

WZ41H-40波纹管闸阀

Bellows Gate valve

设计制造标准： GB/T12234
连接法兰标准： GB/T 9113
结构长度标准： GB/T12221
波纹管标准： MSS SP-117
检验与试验标准： GB/T26480

Design and manufacturing standard: GB/T12234
Flange dimension standard: GB/T 9113
Structure length standard: GB/T12221
Bellows standard: MSS sp-117
Test and test standard: GB/T26480



◆ 主要尺寸及重量

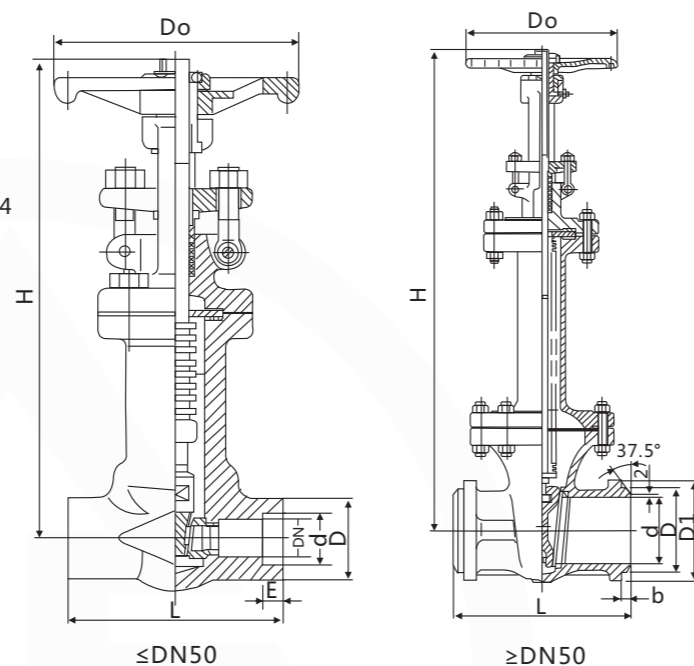
公称通径 DN	尺寸(mm)											
	L	D	D1	D2	D3	f	f1	b	H	Do	Z-d	
15	130	95	65	45	40	2	4	16	300	120	4-14	
20	150	105	75	55	51	2	4	16	305	140	4-14	
25	160	115	85	65	58	2	4	16	310	140	4-14	
32	180	140	100	78	66	2	4	18	360	180	4-14	
40	200	150	110	85	76	2	4	18	410	200	4-18	
50	250	165	125	100	88	2	4	20	530	220	4-18	
65	280	185	145	120	110	2	4	22	558	230	8-18	
80	310	200	160	135	121	2	4	22	655	250	8-18	
100	350	235	190	160	150	3	4.5	24	793	350	8-22	
125	400	270	220	190	176	3	4.5	28	1070	380	8-26	
150	450	300	250	218	204	3	4.5	30	1260	400	8-26	
200	550	375	320	282	260	3	4.5	38	1503	450	12-30	
250	650	450	385	345	313	3	4.5	42	1843	550	12-33	
300	750	515	450	408	364	3	4.5	46	2117	600	16-33	

WZ61H-25波纹管闸阀

Bellows Gate valve

设计制造标准： JB/T7746、GB/T12234
焊接尺寸标准： GB/T12224/JB/T7746
结构长度标准： GB/T12221/JB/T7746
波纹管标准： MSS SP-117
检验与试验标准： GB/T26480

Design and manufacturing standards: JB/T7746、GB/T12234
Welding terminal dimensions: GB/T12224/JB/T7746
Structural length standard: GB/T12221/JB/T7746
Bellows standard: MSS sp-117
Inspection and testing standard: GB/T26480



◆ 主要尺寸及重量

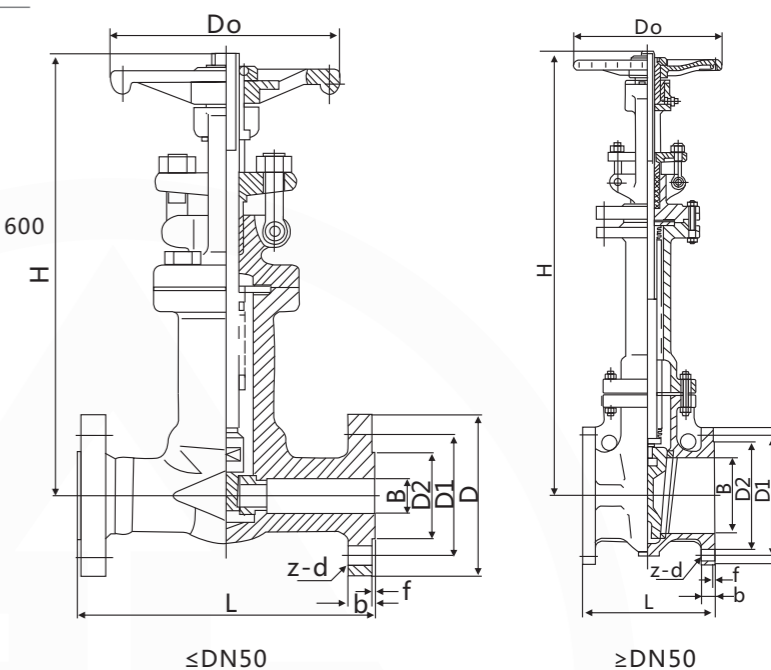
公称通径 DN	压力级磅级：25							
mm	L	H	Do	D	d	E	D1	b
15	79	300	120		22.5	10		
20	92	305	120		28.5	11		
25	111	310	140		34.5	12		
32	120	360	160		43	14		
40	140	410	200		49	15		
50	152	530	200		61	16		
65	265	585	250	75			125	18
80	280	655	280	91			130	18
100	300	793	300	120			160	20
150	350	1260	380	175			24	28
200	400	1503	400	225			280	30
250	450	1843	450	280			320	32
300	500	2117	550	330			400	35
350	550	2400	600	360			420	45
400	600	2700	650	415			480	55
450	650	3200	700	460			540	70
500	700	3800	750	510			630	80
600	800	4500	850	615			740	90

WZ41H-150Lb 波纹管闸阀

Bellows Gate valve

设计制造标准： API 602、API 600
连接法兰尺寸标准： ASME B16.5
结构长度标准： ASME B16.10
波纹管标准： MSS SP-117
检验与试验标准： API 598

Design and manufacturing standard: API 602、API 600
Flange dimension standard: ASME B16.5
Structural length standard: ASME B16.10
Bellows standard: MSS sp-117
Inspection and testing standard: API 598



◆ 主要尺寸及重量

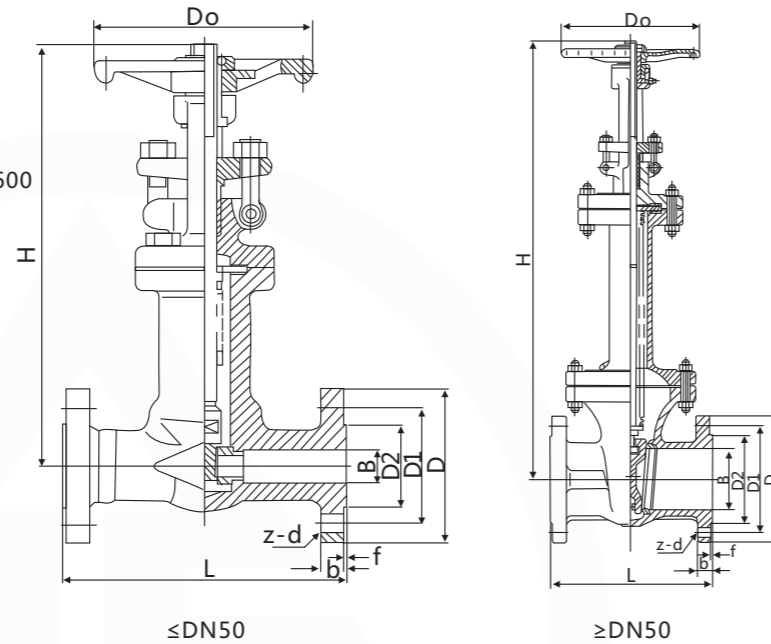
公称通径		尺寸(mm)								
Inch	DN(mm)	L	D	D1	D2	B	b	H	Do	Z-d
1/2	15	108	90	60.5	35	15	8	300	90	4-16
3/4	20	117	100	70	43	20	9	305	90	4-16
1	25	127	110	79.5	51	25	10	310	100	4-16
1 1/4	32	140	115	89	63	32	12	360	100	4-16
1 1/2	40	165	125	98.5	73	38	13	410	140	4-16
2	50	178	150	120.5	92	51	14.3	530	160	4-19
2 1/2	65	190	180	139.5	105	64	16	558	180	4-19
3	80	203	190	152.5	127	78	17.5	655	200	4-19
4	100	229	230	190.5	157	102	22.3	793	225	8-19
5	125	254	255	216	186	127	22.3	1070	280	8-22
6	150	267	280	241.5	216	152	24	1260	300	8-22
8	200	292	345	298.5	270	203	27	1503	350	8-22
10	250	330	405	362	324	254	28.6	1843	400	12-25
12	300	356	485	432	381	305	30.2	2117	460	12-25
14	350	381	535	476.3	413	355	33.5	2410	500	12-29
16	400	406	595	540	470	387	35	2700	550	16-29
18	450	432	635	578	533.4	438	38.1	3000	600	16-32
20	500	457	700	635	584.2	489	42	3400	650	20-32
24	600	508	815	749.3	692.2	591	46.1	3800	700	20-35

WZ41H-300Lb 波纹管闸阀

Bellows Gate valve

设计制造标准： API 602、API 600
连接法兰标准： ASME B16.5
结构长度标准： ASME B16.10
波纹管标准： MSS SP-117
检验与试验标准： API598

Design and manufacturing standard: API 602、API 600
Flange dimension standard: ASME B16.5
Structural length standard: ASME B16.10
Bellows standard: MSS sp-117
Inspection and testing standard: API598



≤DN50

≥DN50

◆ 主要尺寸及重量

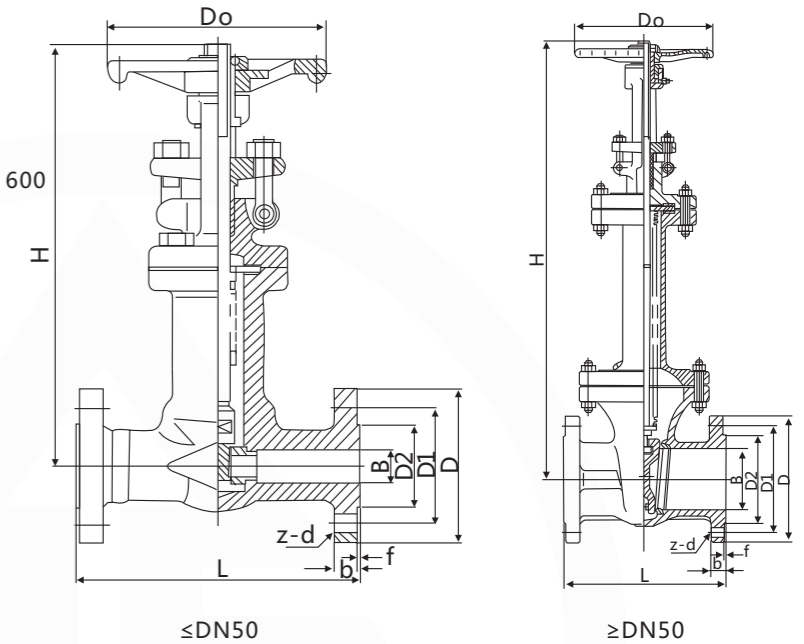
公称通径 DN		尺寸(mm)									
Inch	mm	L	D	D1	D2	B	b	f	H	Do	Z-d
1/2	15	140	95	66.5	35	15	14.5	1.6	300	120	4-16
3/4	20	152	115	82.5	43	20	16	1.6	305	120	4-19
1	25	165	125	89	51	25	17.5	1.6	310	140	4-19
1 1/4	32	178	135	98.5	63	32	19.5	1.6	360	160	4-19
1 1/2	40	190	155	114.5	73	38	21	1.6	410	180	4-22
2	50	216	165	127	92	51	22	1.6	530	220	8-19
2 1/2	65	241	190	149	105	64	26	1.6	558	250	8-22
3	80	283	210	168	127	78	29	1.6	655	280	8-22
4	100	305	255	200	157	102	32	1.6	793	300	8-22
5	125	381	280	235	186	127	32	1.6	1070	350	8-22
6	150	403	320	270	216	152	37	1.6	1260	380	12-22
8	200	419	380	330	270	203	42	1.6	1503	400	12-25
10	250	457	445	387.5	324	254	48	1.6	1843	500	16-29
12	300	502	520	451	381	305	51	1.6	2117	550	16-32

WZ41H-600Lb 波纹管闸阀

Bellows Gate valve

设计制造标准： API 602、API 600
连接法兰标准： ASME B16.5
结构长度标准： ASME B16.10
波纹管标准： MSS SP-117
检验与试验标准： API598

Design and manufacturing standard: API 602、API 600
Flange dimension standard: ASME B16.5
Structural length standard: ASME B16.10
Bellows standard: MSS sp-117
Inspection and testing standard: API598



≤DN50

≥DN50

◆ 主要尺寸及重量

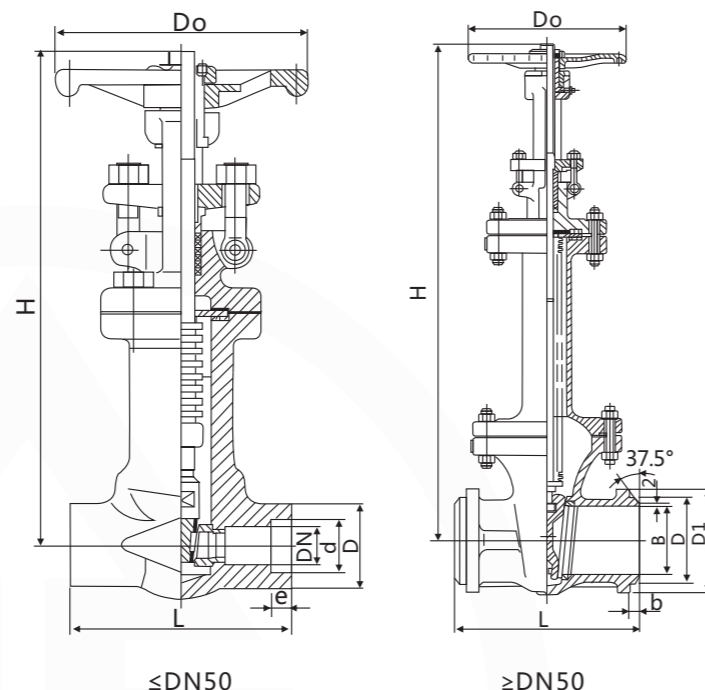
公称通径 DN		尺寸(mm)									
Inch	mm	L	D	D1	D2	B	b	f	H	Do	Z-d
1/2	15	165	95	66.7	34.9	15	14.3	1.6	300	120	4-16
3/4	20	191	115	82.6	42.9	20	15.9	1.6	305	120	4-19
1	25	216	125	88.9	50.8	25	17.5	1.6	310	140	4-19
1 1/4	32	229	135	98.4	63.5	32	20.7	1.6	360	160	4-19
1 1/2	40	241	155	114.3	73	38	22.3	1.6	410	180	4-22
2	50	292	165	127	92.1	51	25.4	1.6	530	220	8-19
2 1/2	65	330	190	149.2	104.8	64	28.6	1.6	558	250	8-22
3	80	356	210	168.3	127	78	31.8	1.6	655	280	8-22
4	100	432	275	215.9	157.2	102	38.1	1.6	793	300	8-25
5	125	508	330	266.7	185.7	127	44.5	1.6	1070	350	8-29
6	150	559	355	292.1	215.9	152	47.7	1.6	1260	380	12-29
8	200	660	420	349.2	269.9	203	55.6	1.6	1503	400	12-32
10	250	787	510	431.8	323.8	254	63.5	1.6	1843	500	16-35
12	300	838	560	489	381	305	66.7	1.6	2117	550	16-35

WZ61H-150/300Lb波纹管闸阀

Bellows Gate valve

设计制造标准： API 602、API 600
焊接尺寸标准： ASME B16.25/ASME B16.11
结构长度标准： ASME B16.10
波纹管标准： MSS SP-117
检验与试验标准： API598

Design and manufacturing standard: API 602、API 600
Welding dimension standard: ASME B16.25/ASME B16.11
Structural length standard: ASME B16.10
Bellows standard: MSS sp-117
Inspection and testing standard: API598



◆ 主要尺寸及重量

公称通径 DN		压力级磅级											
		150Lb						300Lb					
mm	Inch	L	H	Do	D	d	e	L	H	Do	D	d	e
1/2	15	79	300	120	33	22.5	10	79	300	120	33	22.5	10
3/4	20	92	305	120	38	28.5	12.5	92	305	120	38	28.5	12.5
1	25	111	310	140	48	34.5	12.5	111	310	140	48	34.5	12.5
1 1/4	32	120	360	160	56	43	12.5	120	360	160	55	42	12.5
1 1/2	40	140	410	160	64	49	12.5	140	410	160	64	49	12.5
2	50	152	530	180	73		12.5	152	530	180	73		12.5
2 1/2	65	190	558	180				241	558	250			
3	80	203	655	200				283	655	280			
4	100	229	793	220				305	793	300			
5	125	254	1070	280				381	1070	350			
6	150	267	1260	300				403	1260	380			
8	200	292	1503	350				419	1503	400			
10	250	330	1843	400				457	1843	500			
12	300	356	2117	450				502	2117	550			

Quality assurance and after-sales service commitment

质量保证和售后服务承诺

我公司对质量保证和售后服务做如下承诺：

- 一、严格按照ISO9001质量保证体系执行生产。
- 二、保证出厂产品按照相关国家标准制造和检验，不合格产品决不出厂。认真履行国家工业产品售后服务有关规定，兑现产品三包。对出厂产品自发货日起十八个月内，在产品规定的正常操作条件下我公司将负责质保期内质量完好。
- 三、如用户对我公司产品提出质量异议，公司保证在接到用户提出异议后2小时内作出响应。若需要现场解决，保证迅速及时派出专业技术服务人员，就相关问题给出合理解决方案。对每位用户反馈产品质量问题及处理结果我公司将存档改进不断创新。

The company does three things about quality assurance and after-sales service:

1. Strictly follow the ISO9001 quality system to carry out production.
2. Ensure that all outgoing products are produced and inspected according to relevant international standards. Ensure strict implementation of the three packages of products, strictly implement the national industrial products after-sales service regulations, and to the factory products within 18 months from the date of spontaneous delivery, our company will be responsible for the quality of the warranty period under normal operating conditions.
3. If the customer disputes the quality of our products, the company guarantees that within 2 hours after receiving the objection from the user to deal with. If it is necessary to solve the problem on site, make sure to send professional technical service personnel, and ask questions and give them the first time a solution. Our company will keep an archive of the quality problems and the results of each user's feedback.

The above three points are my company's commitment to after-sales service and quality assurance. We sincerely welcome the users to criticize and correct, please give valuable advice and refer to improvement. I sincerely hope that we can have a pleasant cooperation.



感谢阅读 good luck!